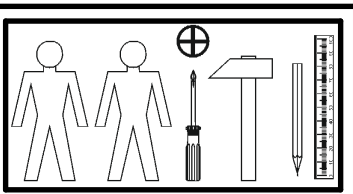
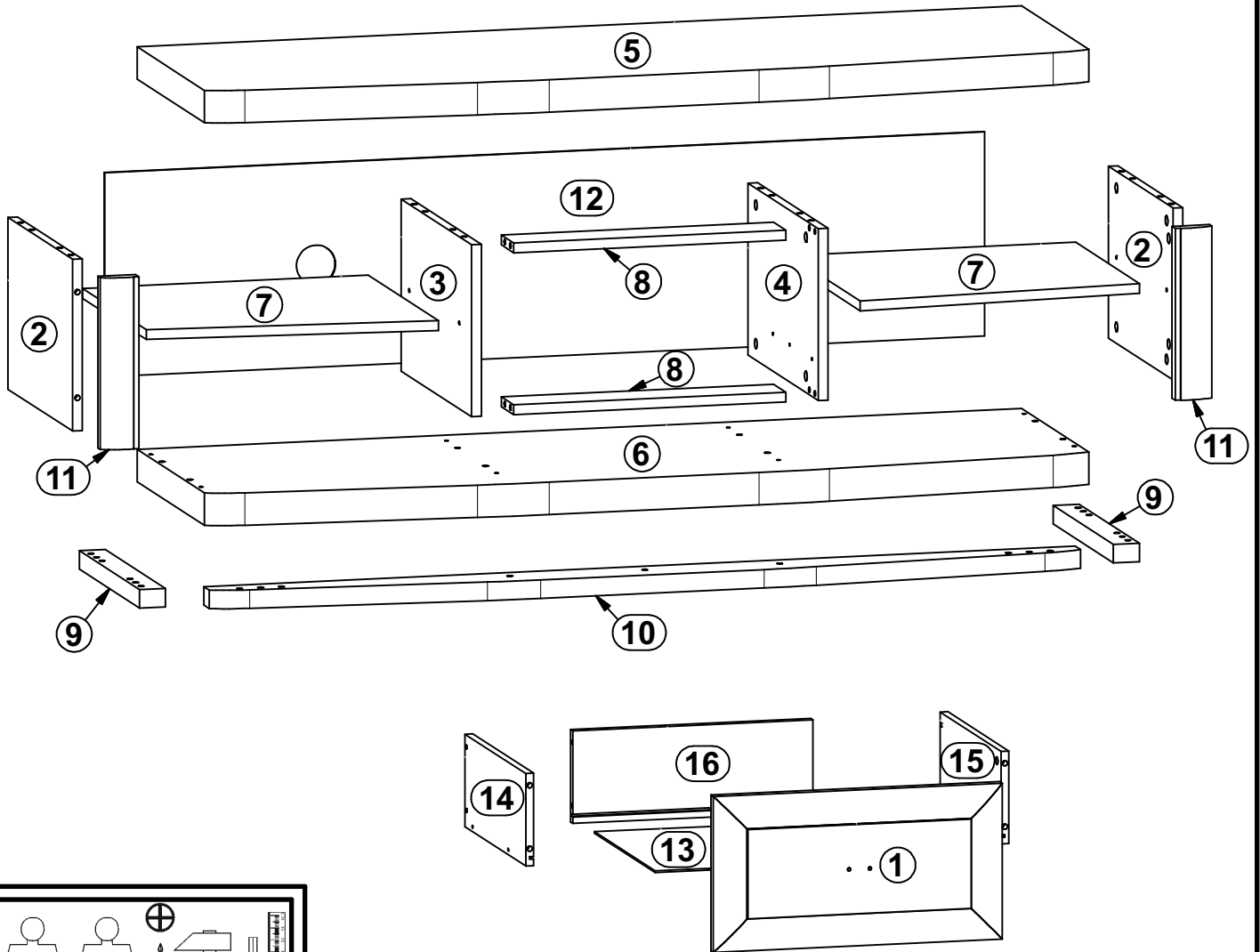
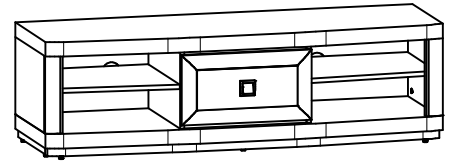


# OREGON

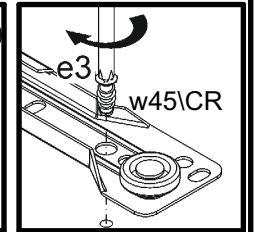
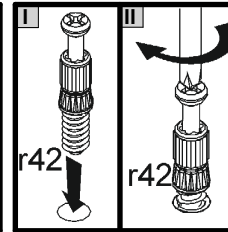
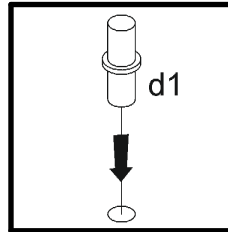
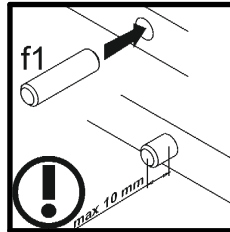
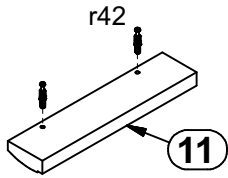
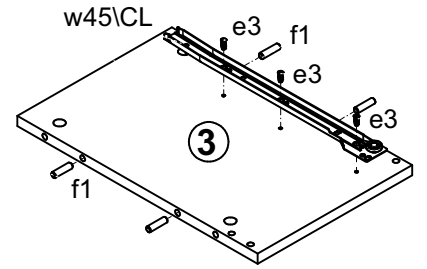
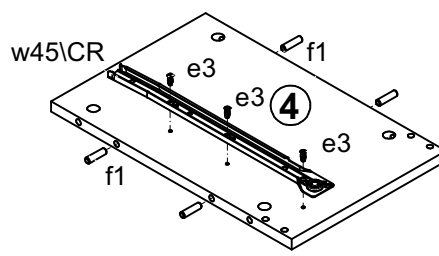
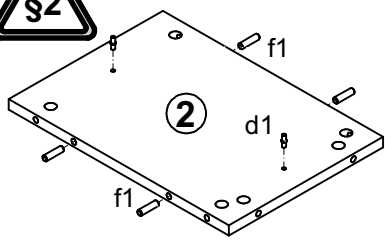
# S157-RTV1S

A	B	C		D	A	B	C		D
1	S157-0014	445	236	2/2	9	S157-502	346	40	1/2
2	S157-1123	260	371	1/2	10	S157-5504	1346	74	1/2
3	S157-1124	260	405	1/2	11	S157-509	260	58	2/2
4	S157-1125	260	405	1/2	12	S157-9914	309	1355	1/2
5	S157-2212	1366	430	1/2	13	S157-9915	381	348	1/2
6	S157-2213	1366	430	1/2	14	ZS2-531	350	140	1/2
7	S157-3310	440	403	1/2	15	ZS2-532	350	140	1/2
8	S157-4406	419	70	1/2	16	ZS2-5592	370	140	1/2

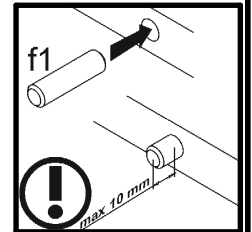
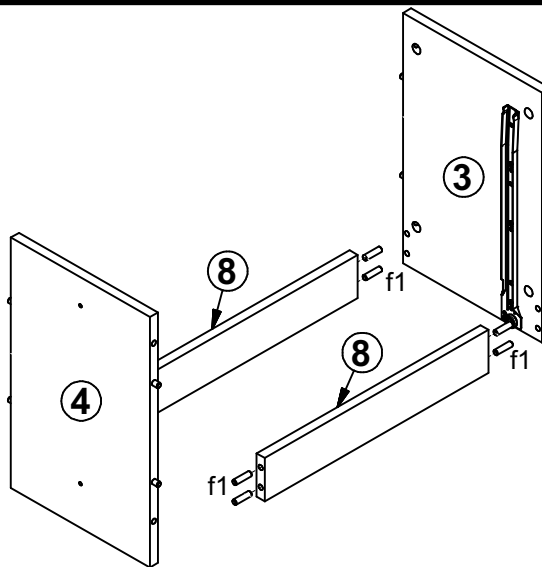


1x  c333	8x  φ5x17 mm d1	8x  φ7x50 mm e1	4x  φ5x9 mm e19	6x  φ6x13 mm e3	30x  φ8x30 mm f1	4x  φ6.5x40 mm f25	2x  M4x18 mm j59	5x  M6/φx14 mm k3912
5x  M6/22mm k3913	40x  l1	20x  φ1.5x12mm #16 r1	4x  φ1.2x10.5mm #12 r15	24x  r42	1x  350 mm w45\CL	1x  350 mm w45\CR	1x  350 mm w45\DL	1x  350 mm w45\DR
12x  ø16 s2	1x  z1							

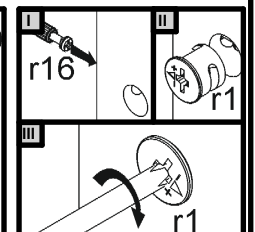
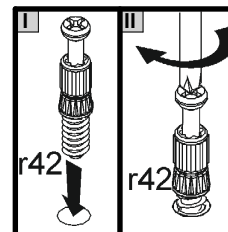
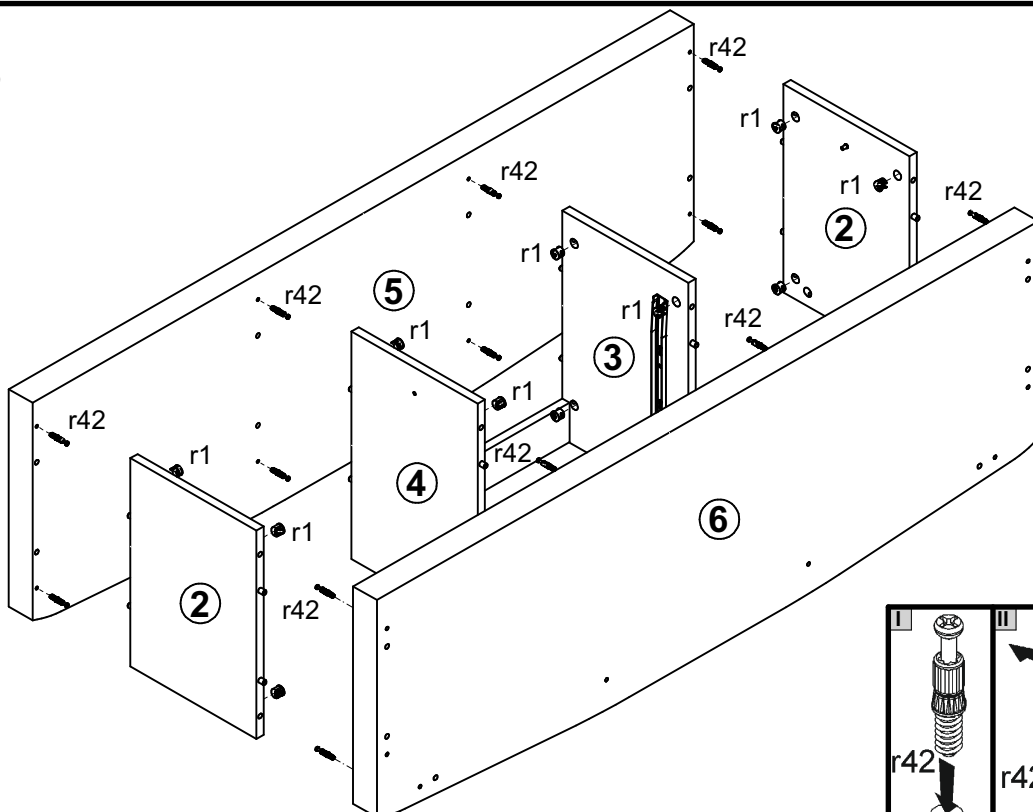
# 1



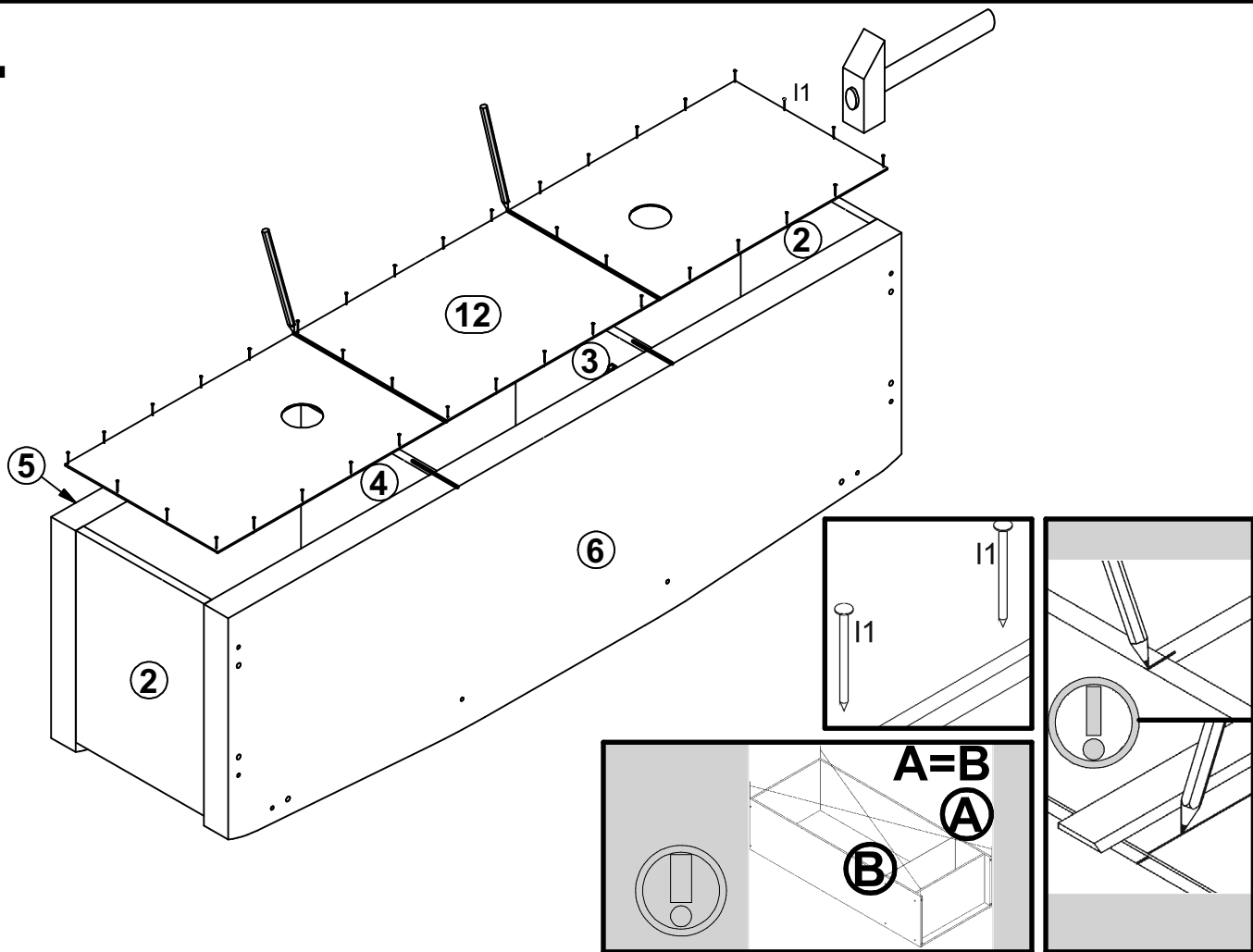
# 2



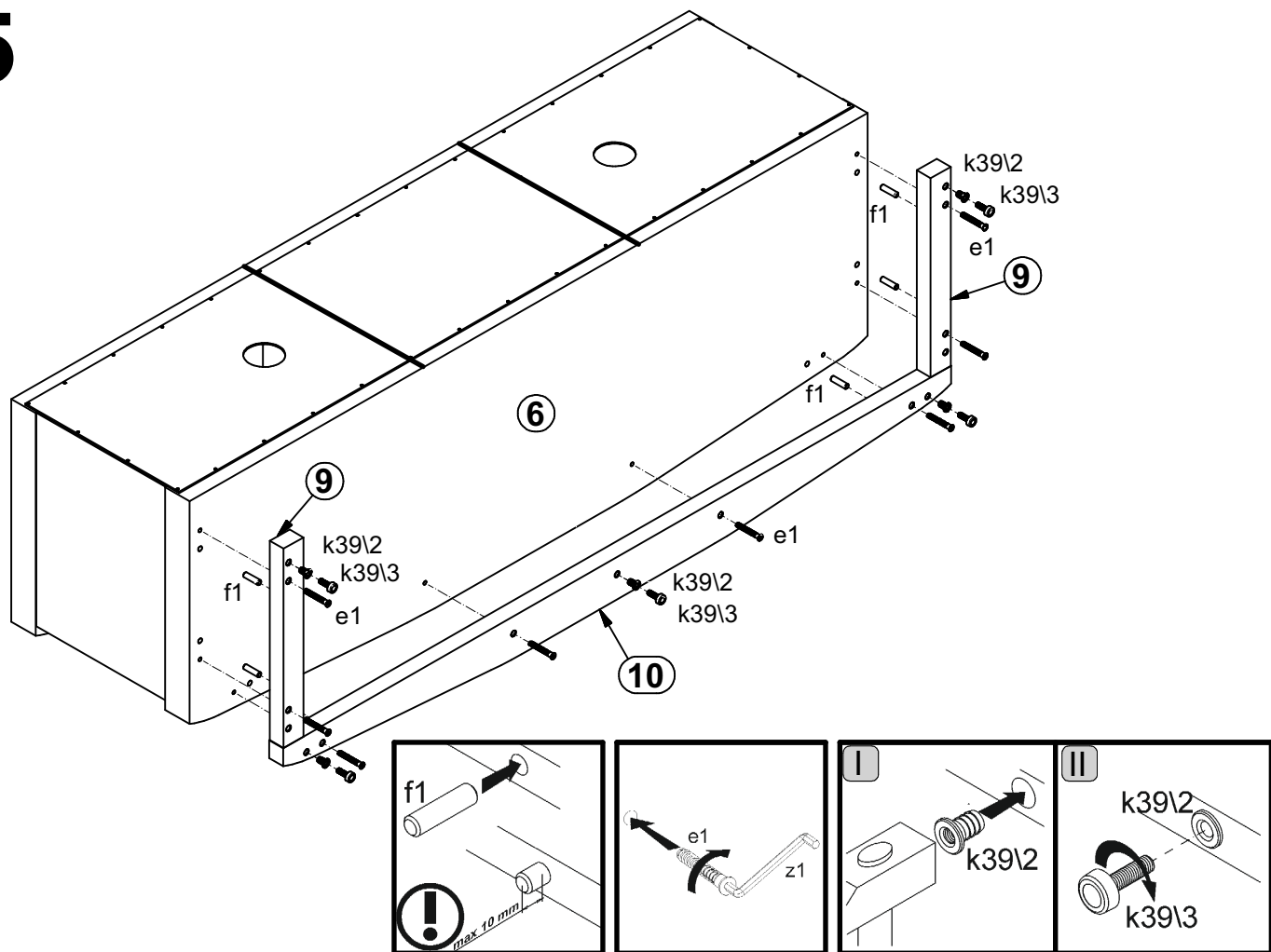
# 3



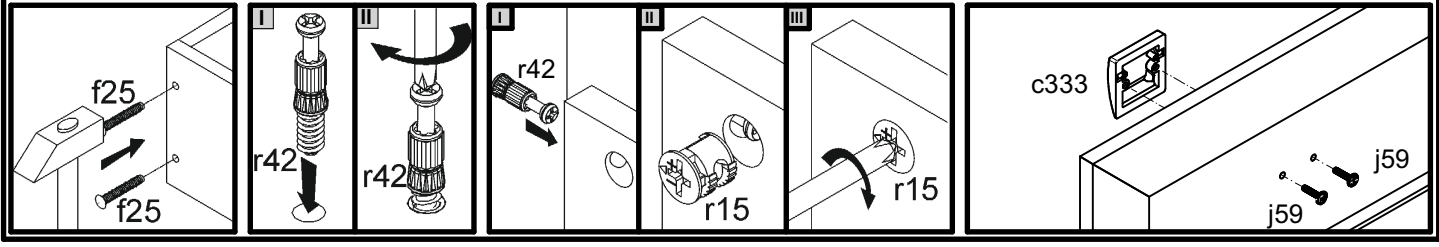
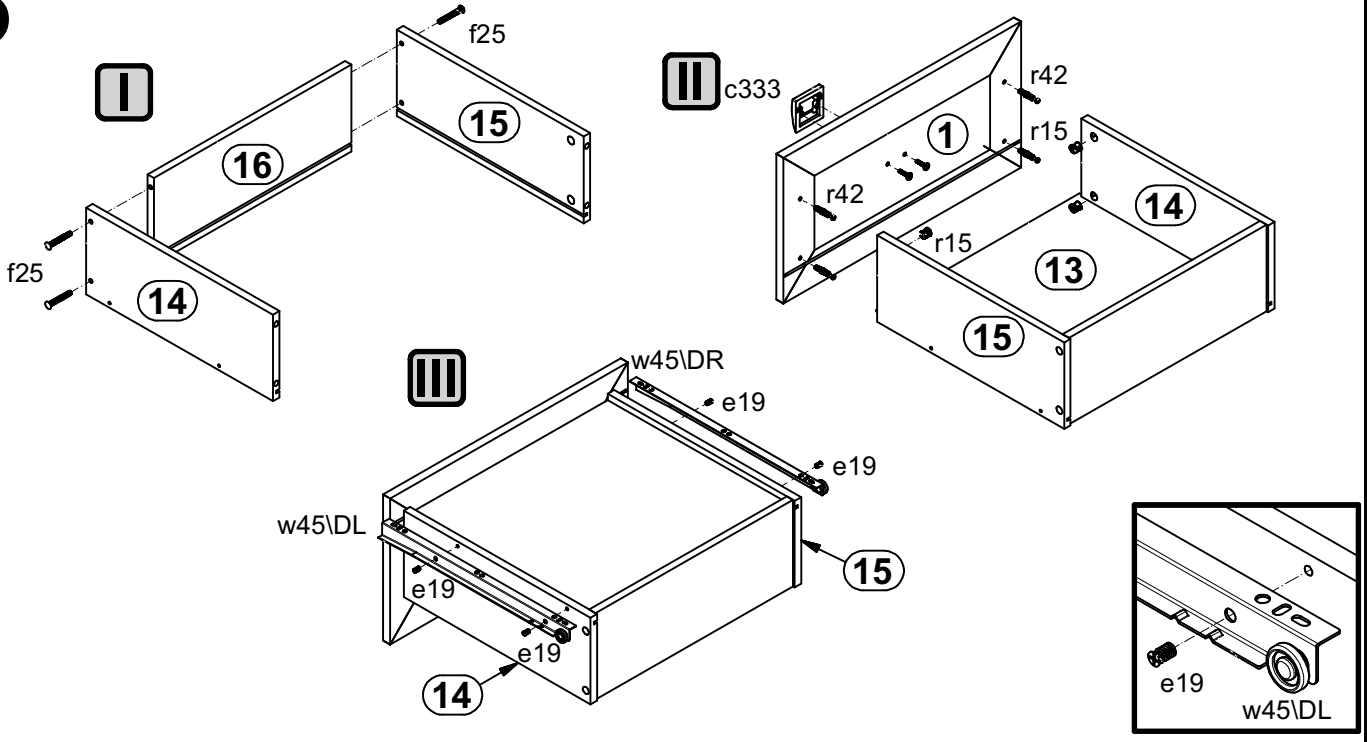
# 4



# 5



# 6



# 7

